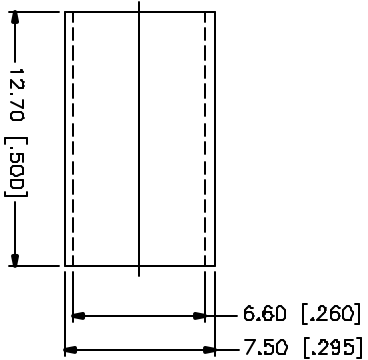
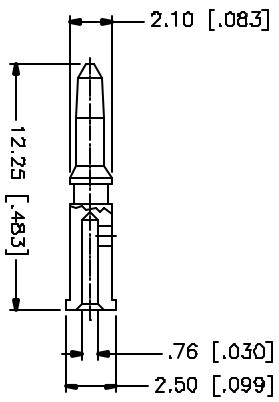
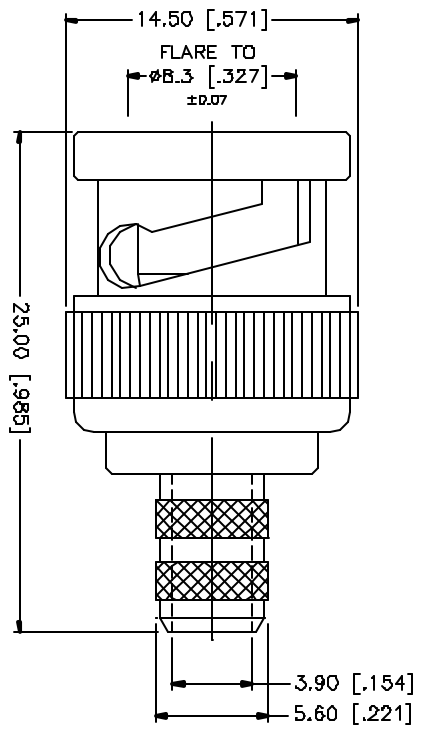
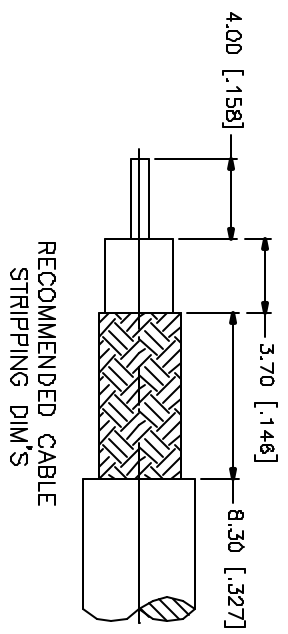


REV.	DATE	DESCRIPTION
NC	11/14/00	INITIAL RELEASE
A	05/01/04	UPDATE DRAWING FORMAT



- CRIMP NOTES:
1. CRIMPED FERRULE
HEX CRIMP SIZE .255"
 2. CRIMPED CONTACT PIN
HEX CRIMP SIZE .068"

NO.	DESCRIPTION	MATERIAL	FINISH	QTY
1	INSULATOR	DELFIN	NATURAL	1
2	HOUSING/BODY	BRASS	NICKEL	1
3	CONTACT FIN	BRASS	COOLD	1
4	FERRULE	COPPER	NICKEL	1
5				
6				
7				
8				

UNLESS OTHERWISE SPECIFIED, DIMENSIONS ARE IN MILLIMETERS, DIMENSIONS IN [] ARE IN INCHES AND FOR DIMENSION REFERENCE ONLY.
UNLESS OTHERWISE SPECIFIED, TOLERANCES FOR HOLE DIA. ARE:
0.6 - 8mm ± 0.20mm
8 - 34mm ± 0.40mm
30 - 120mm ± 0.50mm
UNLESS OTHERWISE SPECIFIED, TOLERANCES FOR SHAFT DIA. ARE:
0.020 - .315 ± 0.007"
.315 - 1.180 ± 0.015"
1.180 - 4.724 ± 0.020"

APPROVALS	DATE
DRAWN G.R.S.	05/01/04
CHECKED	
ISSUED	
SHEET 1 OF 1	

CAD FILE C:/112/112119.DWG	DWG. NO. 112119.DWG	REV. A	SIZE A	SCALE N/A
----------------------------	---------------------	--------	--------	-----------

Amphenol Connex

PART DESCRIPTION
BNC CRIMP PLUG
PART NO. **112119**